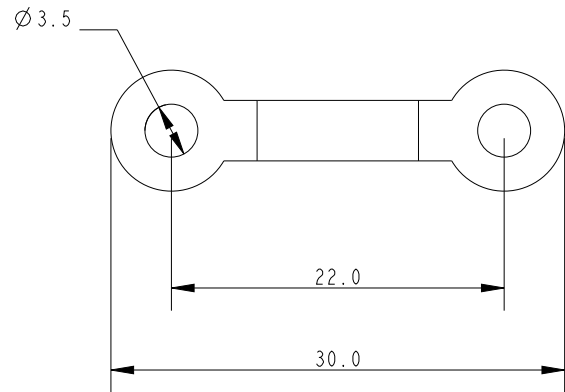


SCALE 2:1



Specification			
Height mm	Fixing Hole Size mm	Fixing Hole Centres mm	Weight g
8	3	22	1

**DIMENSIONS FOR REFERENCE ONLY**  
 allenbrothers.co.uk  
 +44(0)1621 772477

Title	Description
<b>A4288-REF</b>	Pressed Stainless Steel Lacing Eye - Small