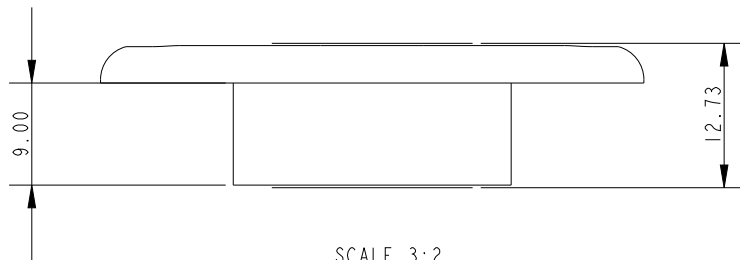
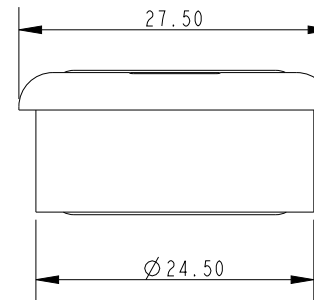


SCALE 2:1



SCALE 3:2



**Specification**

Inside Diameter mm	Outer Diameter mm	Fixing Hole Size mm	Column Depth mm	Fixing Hole Centres mm	Weight g
13.8	24.5	4.5	9	35.4	12

**DIMENSIONS FOR REFERENCE ONLY**  
**allenbrothers.co.uk**  
**+44(0)1621 772477**

Title	Description
<b>A4339-REF</b>	<b>Deck Bush with Flange and SS Inner</b>