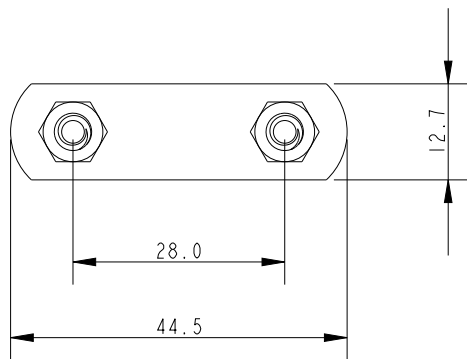


SCALE 1:1



SCALE 3:2

Specification					
Rod Size mm	Fixing Hole Centre mm	Height mm	Thread Length kg	Weight g	Inside Dia. mm
5	28	43	19	24	23

DIMENSIONS FOR REFERENCE ONLY
 allenbrothers.co.uk
 +44(0)1621 772477

Title	Description
A4371-REF	U Bolt With Top & Bottom Backing Plate