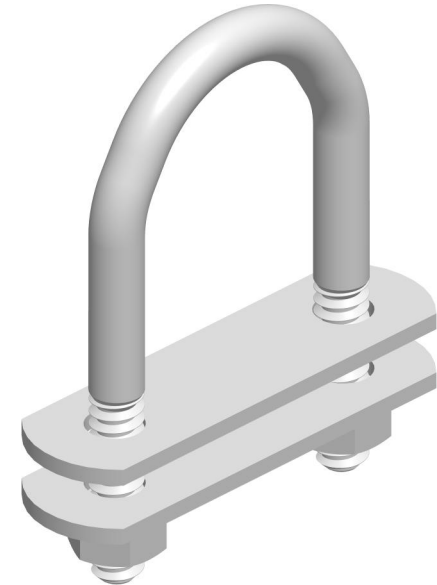
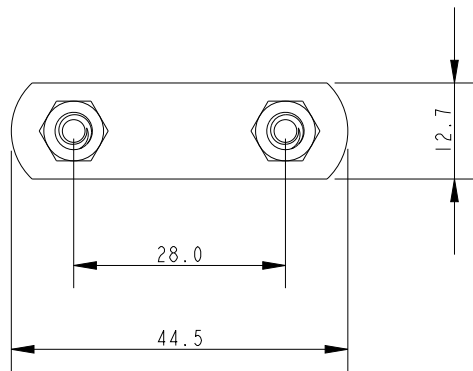


SCALE 1:1



SCALE 3:2

DIMENSIONS FOR REFERENCE ONLY
allenbrothers.co.uk
+44(0)1621 772477

Specification					
Rod Size mm	Fixing Hole Centre mm	Height mm	Thread Length kg	Weight g	Inside Dia. mm
5	28	51	19	29	23

Title	Description
A4371L-REF	U Bolt With Top & Bottom Backing Plate