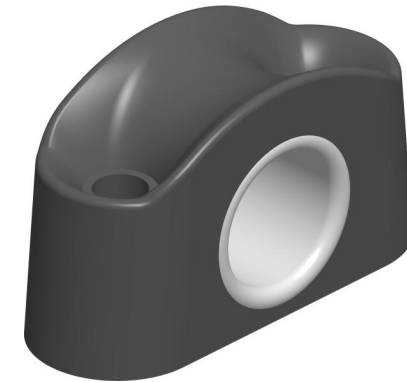
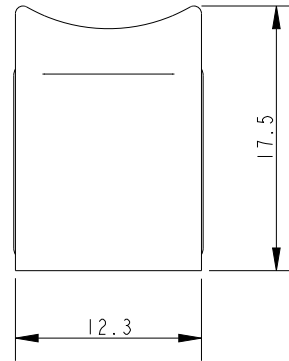
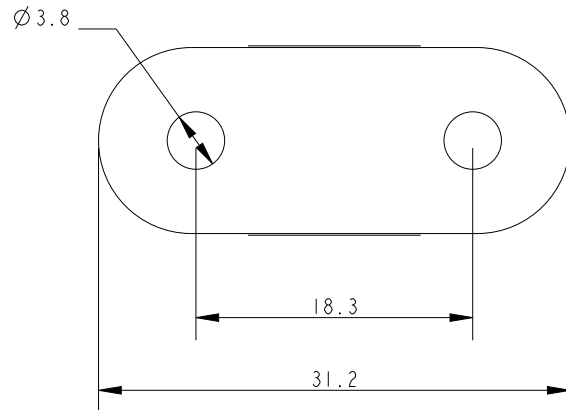


SCALE 2:1



SCALE 2:1



Specification

Inside Hole mm	Fixing Hole Size mm	Fixing Hole Centres mm	Weight g
9.7	3.8	18.3	6

DIMENSIONS FOR REFERENCE ONLY
allenbrothers.co.uk
+44(0)1621 772477

Title	Description
A4452-REF	Bullseye Failed lead With Stainless Steel Inner