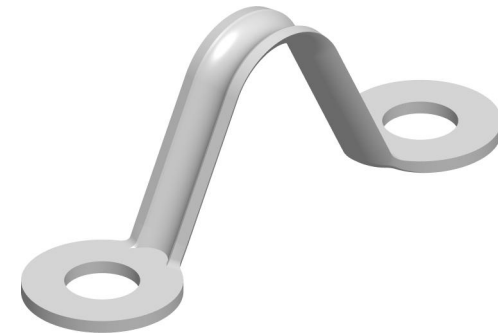
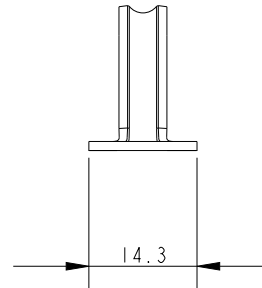
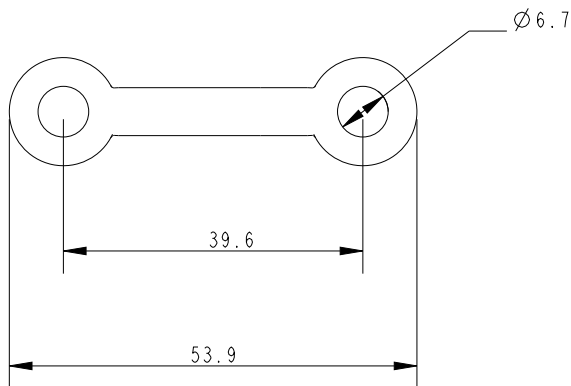


SCALE 1:1



SCALE 3:2



Specification

| Height mm | Fixing Hole Size mm | Fixing Hole Centres mm | Weight g |
|--------------|------------------------|---------------------------|-------------|
| 19.2 | 6.7 | 39.6 | 4 |

DIMENSIONS FOR REFERENCE ONLY
 allenbrothers.co.uk
 +44(0)1621 772477

| Title | Description |
|------------------|--|
| A4488-REF | Pressed Stainless Steel V Style Lacing Eye - Med |