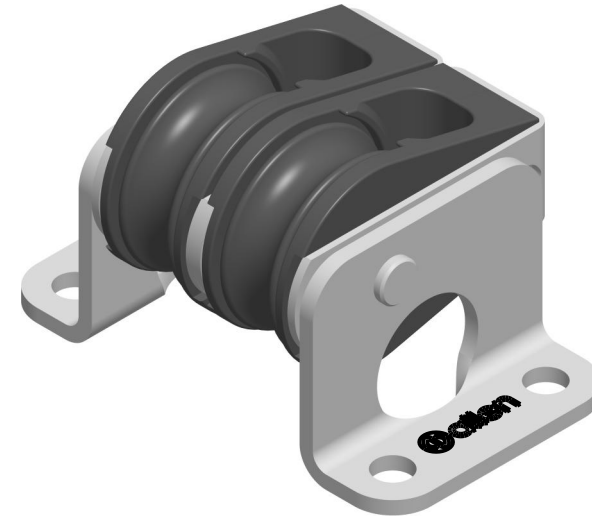


SCALE 1:1



Specification

Length mm	Line Diameter mm	Hole Centres mm	Breaking Load kg	MWL kg	Weight g	Bearing Details
32	6	27 x 19	350	105	94	Dynamic

DIMENSIONS FOR REFERENCE ONLY
 allenbrothers.co.uk
 +44(0)1621 772477

Title	Description
A4504-REF	20mm Double Uprand Block