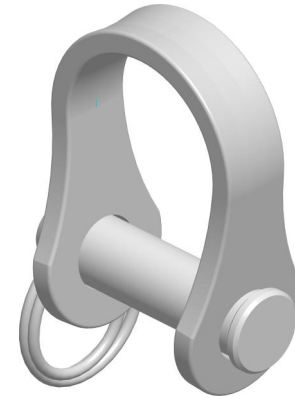
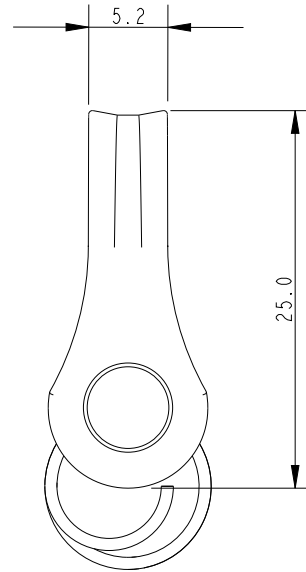


SCALE 2:1



DIMENSIONS FOR REFERENCE ONLY
allenbrothers.co.uk
+44(0)1621 772477

| Specification | | | | | | |
|---------------|------|------|------|------------------|----------------------|----------|
| L mm | A mm | D mm | W mm | Breaking Load kg | Max. Working Load kg | Weight g |
| 15 | 11 | 4.9 | 13 | 900 | 300 | 7 |

| Title | Description |
|------------------|------------------------------------|
| A4528-REF | Pressed Rigging Link Narrow |