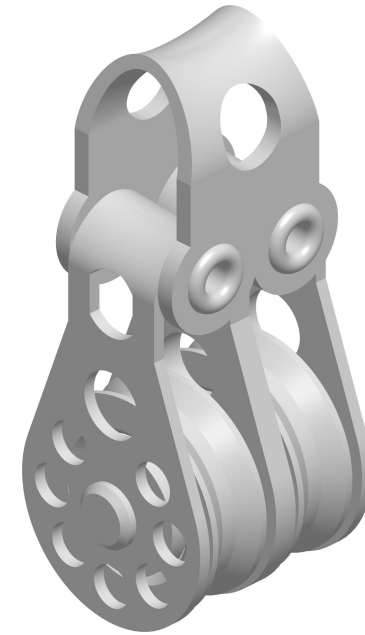
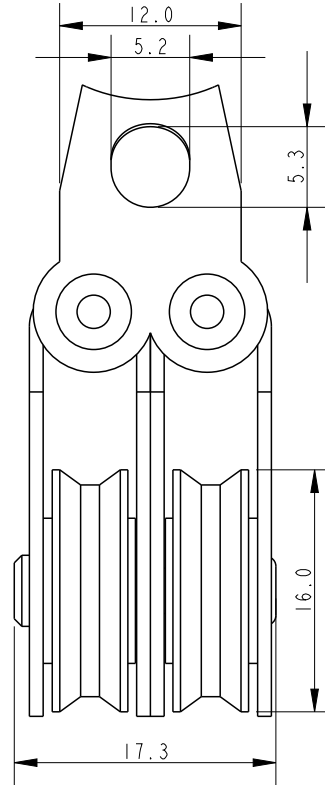
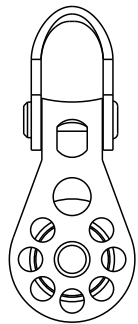


SCALE 2:1



SCALE 2:1



SCALE 1:1

DIMENSIONS FOR REFERENCE ONLY
allenbrothers.co.uk
+44(0)1621 772477

Specification

Sheave Diameter mm	Length mm	Line Diameter mm	Shackle Pin mm	Breaking Load kg	Weight g	Bearing Detail
16	41.8	2 - 4	4	400	25	Stainless Steel

Title	Description
A4569-REF	Double