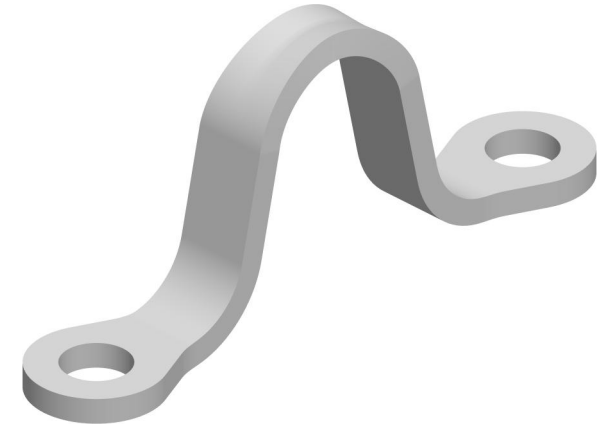
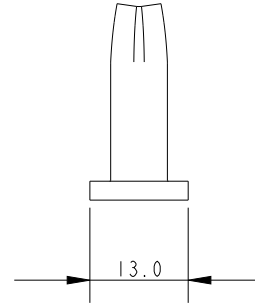
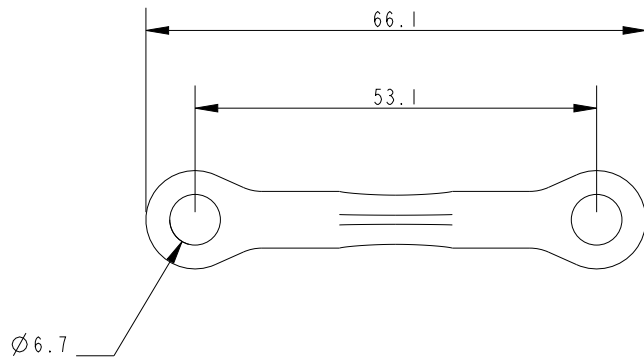


SCALE 1:1



SCALE 3:2



| Specification | | | |
|---------------|---------------------|------------------------|----------|
| Height mm | Fixing Hole Size mm | Fixing Hole Centres mm | Weight g |
| 26 | 6.7 | 53.1 | 12 |

DIMENSIONS FOR REFERENCE ONLY
allenbrothers.co.uk
+44(0)1621 772477

| Title | Description |
|------------------|---|
| A4588-REF | Pressed Stainless Steel Lacing Eye - XLarge |