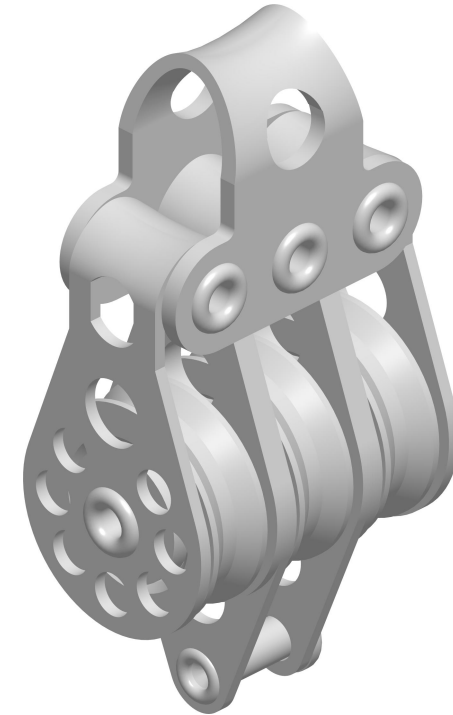
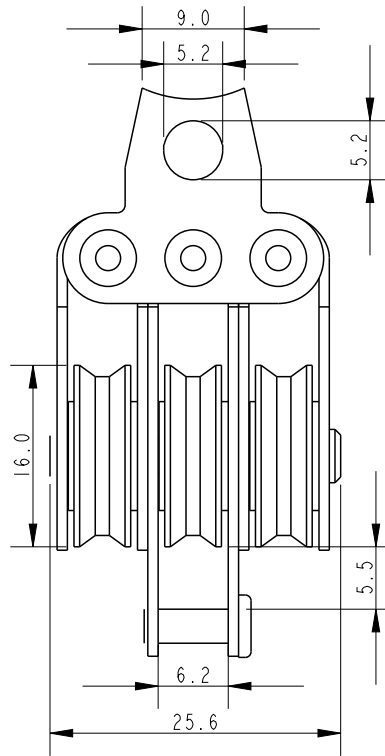


SCALE 3:2



SCALE 2:1

| Specification | | | | | | |
|--------------------|-----------|------------------|----------------|------------------|----------|-----------------|
| Sheave Diameter mm | Length mm | Line Diameter mm | Shackle Pin mm | Breaking Load kg | Weight g | Bearing Detail |
| 16 | 50.2 | 2 - 4 | 4 | 400 | 38 | Stainless Steel |

DIMENSIONS FOR REFERENCE ONLY
 allenbrothers.co.uk
 +44(0)1621 772477

| Title | Description |
|------------------|---------------------------|
| A4670-REF | Triple with Becket |