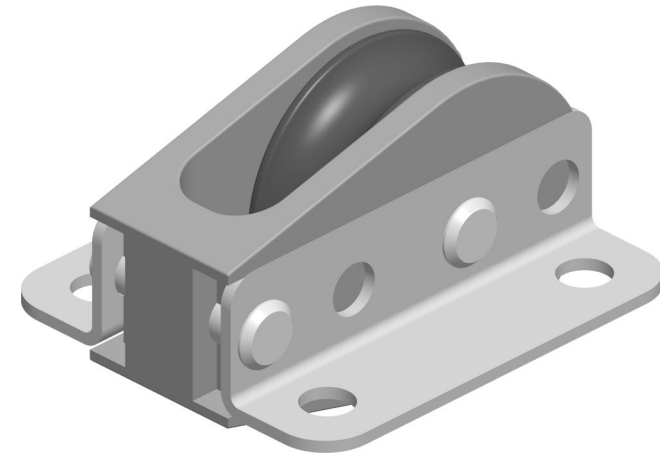
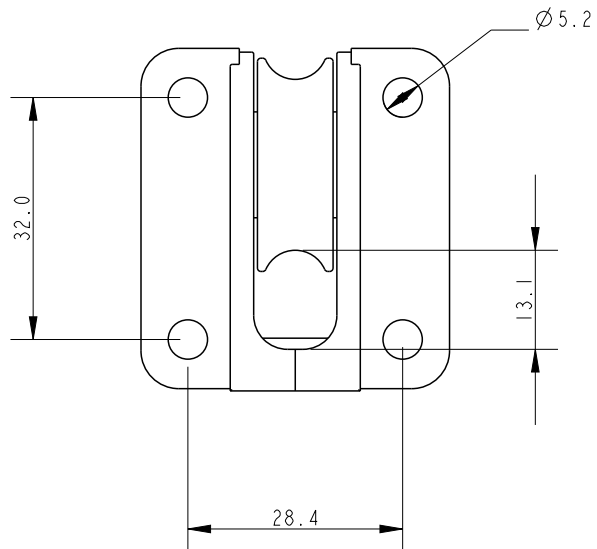


SCALE 1:1



SCALE 3:2



DIMENSIONS FOR REFERENCE ONLY
 allenbrothers.co.uk
 +44(0)1621 772477

Specification

Length mm	Line Diameter mm	Hole Centre mm	Breaking Load kg	MWL kg	Weight g	Bearing Detail
45	8	25	700	140	39	Stainless Steel

Title	Description
A4801-REF	Through Deck Block