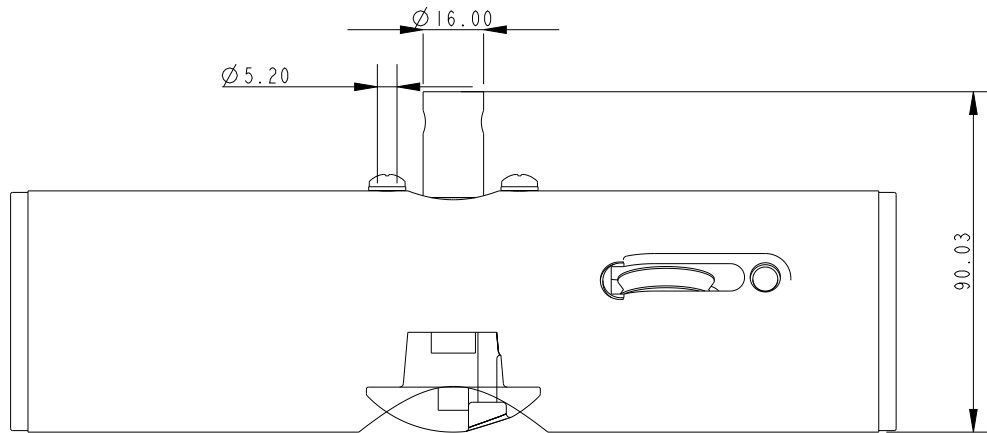
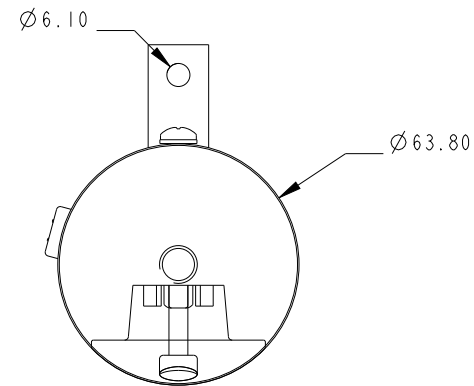


SCALE 1:2



SCALE 1:2



Specification						
Fixing Hole Diameter mm	Pin Diameter mm	Fork Width mm	Length mm	Height mm	Weight g	MWL Kg
5	5	11	235	90	65	330

Title	Description
A4904LZ-REF	Intergal Bow Bar Furling Unit

DIMENSIONS FOR REFERENCE ONLY
 allenbrothers.co.uk
 +44(0)1621 772477