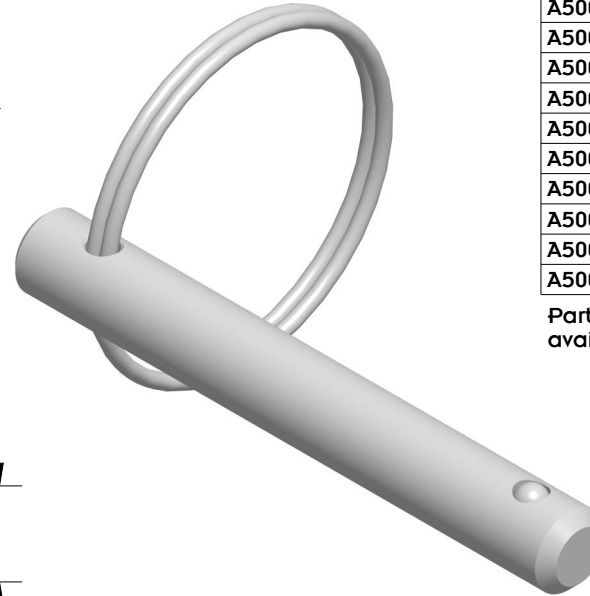
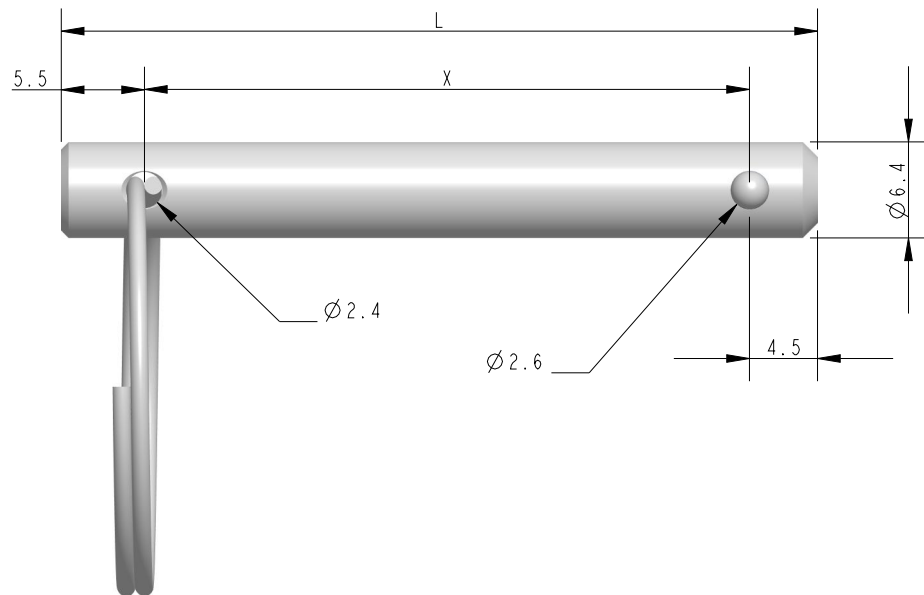
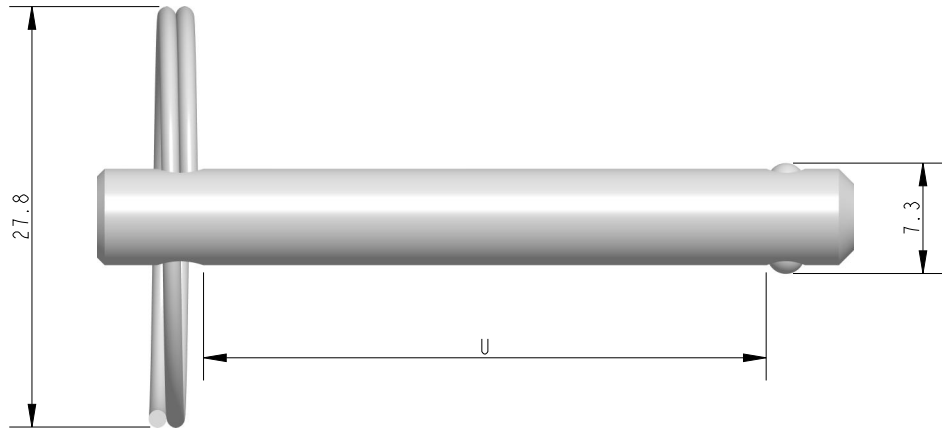


# A5008



SCALE 2:1

| A           | 'L' | 'X' | 'U'  |
|-------------|-----|-----|------|
| A5008-26    | 26  | 16  | 13.5 |
| A5008-32 *  | 32  | 22  | 19.5 |
| A5008-38 *  | 38  | 28  | 25.8 |
| A5008-44 *  | 44  | 34  | 31.5 |
| A5008-50 *  | 50  | 40  | 37.5 |
| A5008-56 *  | 56  | 46  | 43.5 |
| A5008-62 *  | 62  | 52  | 49.5 |
| A5008-68 *  | 68  | 58  | 55.5 |
| A5008-74 *  | 74  | 64  | 61.5 |
| A5008-80 *  | 80  | 70  | 67.5 |
| A5008-86 *  | 86  | 76  | 73.5 |
| A5008-92 *  | 92  | 82  | 79.5 |
| A5008-98 *  | 98  | 88  | 85.5 |
| A5008-104 * | 104 | 94  | 91.5 |

Part Numbers marked with \* indicates lengths available with minimum order of 100

| Specification |                  |                   |
|---------------|------------------|-------------------|
| Dia. Inches   | Usable Length mm | Overall Length mm |
| 1/4"          | U                | L                 |

**DIMENSIONS FOR REFERENCE ONLY**  
 allenbrothers.co.uk  
 +44(0)1621 772477

| Title     | Description                |
|-----------|----------------------------|
| A5008-REF | 1/4" Multi Length Fast Pin |