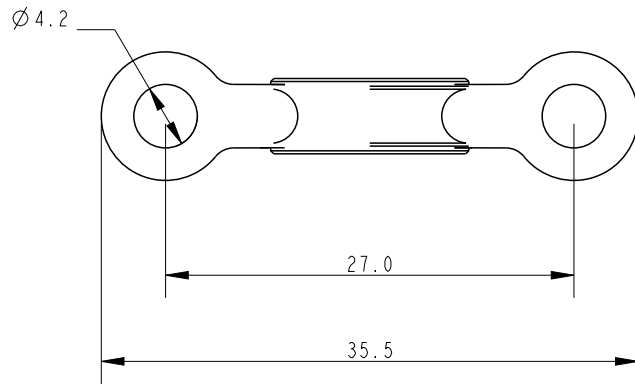


SCALE 2:1



SCALE 3:1

Specification			
Height mm	Fixing Hole Size mm	Fixing Hole Centres mm	Weight g
14	4	27	3.6

DIMENSIONS FOR REFERENCE ONLY
allenbrothers.co.uk
+44(0)1621 772477

Title	Description
A5014F-REF	Forged Stainless Steel Eye Strap With Ferrule - S