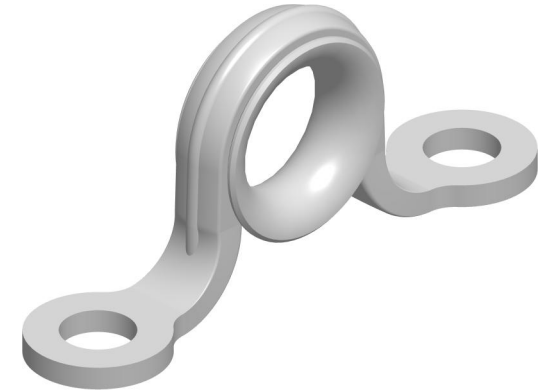
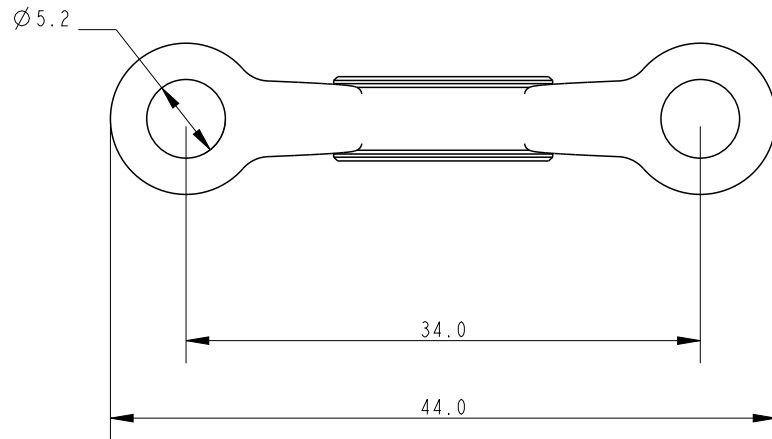


SCALE 2:1



SCALE 2:1



Specification			
Height mm	Fixing Hole Size mm	Fixing Hole Centres mm	Weight g
19	5	34	8.2

**DIMENSIONS FOR REFERENCE ONLY**  
 allenbrothers.co.uk  
 +44(0)1621 772477

Title	Description
<b>A5015F-REF</b>	Forged Stainless Steel Eye Strap With Ferrule - M