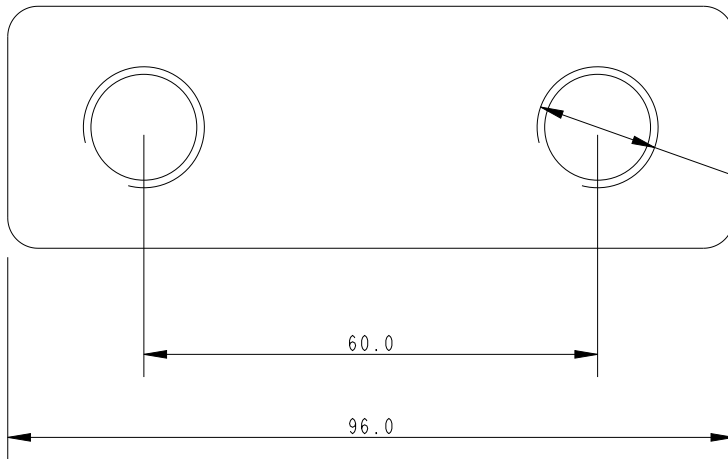
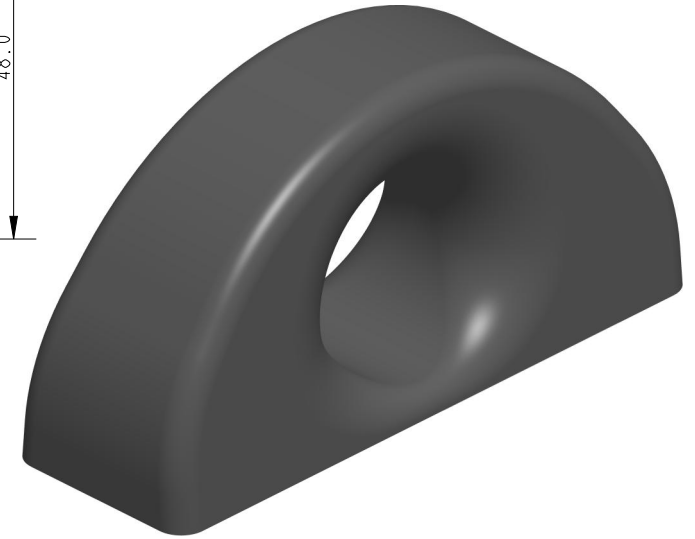


SCALE 1:1



M16x2.0 24.0MM Depth

Specification			
Inside Hole mm	Fixing Hole Size mm	Fixing Hole Centres mm	Weight g
26.7	16	60	206

DIMENSIONS FOR REFERENCE ONLY
 allenbrothers.co.uk
 +44(0)1621 772477

Title	Description
A5054-16-REF	Keelboat Sheet Deflector