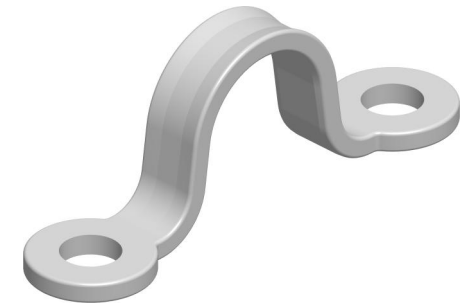
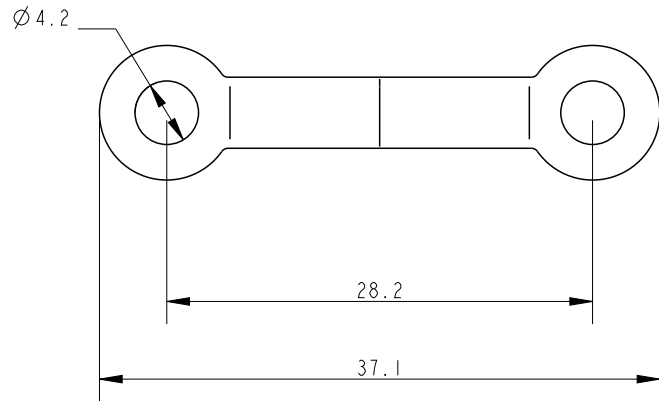


SCALE 2:1



SCALE 2:1



Specification			
Height mm	Fixing Hole Size mm	Fixing Hole Centres mm	Weight g
12	4	28	5.2

DIMENSIONS FOR REFERENCE ONLY
 allenbrothers.co.uk
 +44(0)1621 772477

Title	Description
A6050-REF	Pressed Stainless Steel Lacing Eye - Small