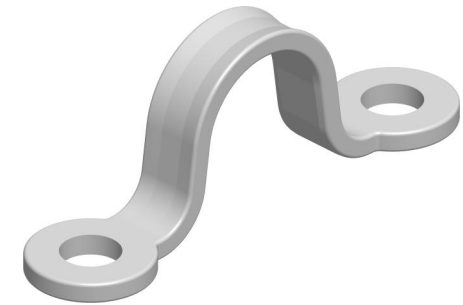
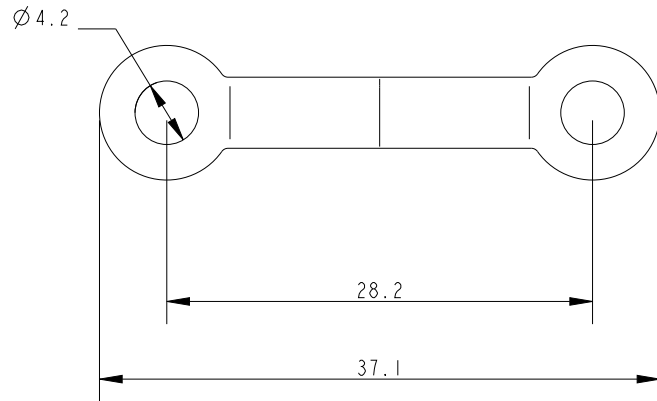


SCALE 2:1



SCALE 2:1



Specification			
Height mm	Fixing Hole Size mm	Fixing Hole Centres mm	Weight g
12.9	4.2	28.2	5.2

**DIMENSIONS FOR REFERENCE ONLY**  
**allenbrothers.co.uk**  
**+44(0)1621 772477**

Title	Description
<b>A6050-REF</b>	Pressed Stainless Steel Lacing Eye - Small