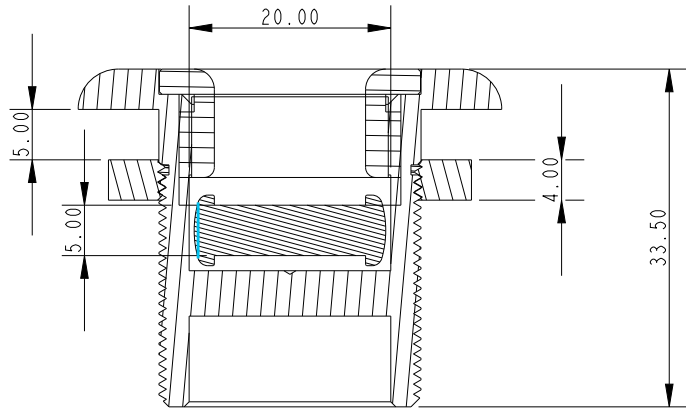
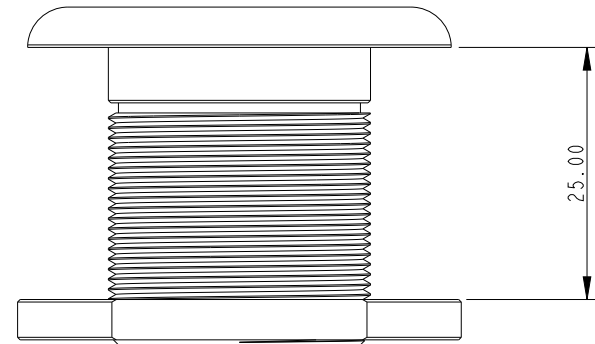


SCALE 4:3



SECTION A-A  
SCALE 4:3



**DIMENSIONS FOR REFERENCE ONLY**  
 allenbrothers.co.uk  
 +44(0)1621 772477

Title	Description
A892525_REF	25mm Removeable Pin Pad tii