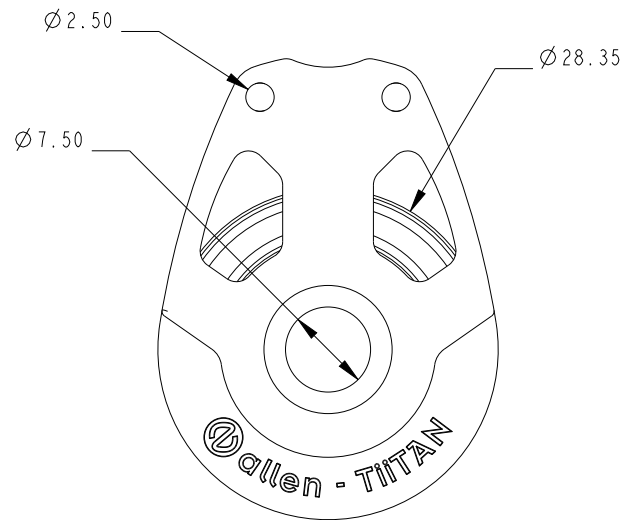
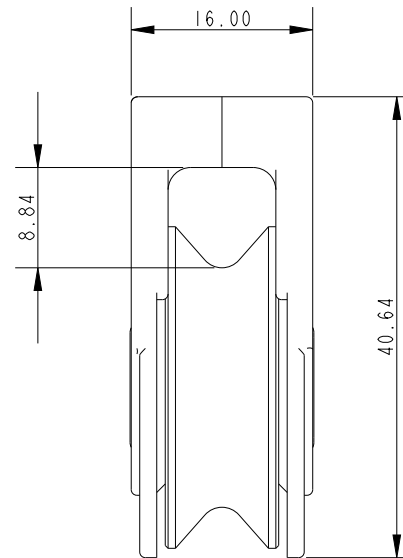


SCALE 3:2



SCALE 3:2



Specification

Length mm	Line Diameter mm	Breaking Load kg	MWL kg	Weight g
40.64	8	1250	500	28

DIMENSIONS FOR REFERENCE ONLY
 allenbrothers.co.uk
 +44(0)1621 772477

Title	Description
A9030-REF	30mm Titanium Block