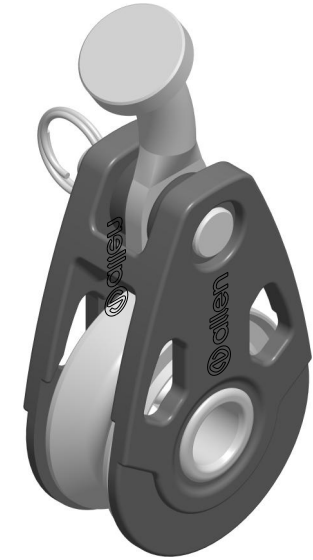
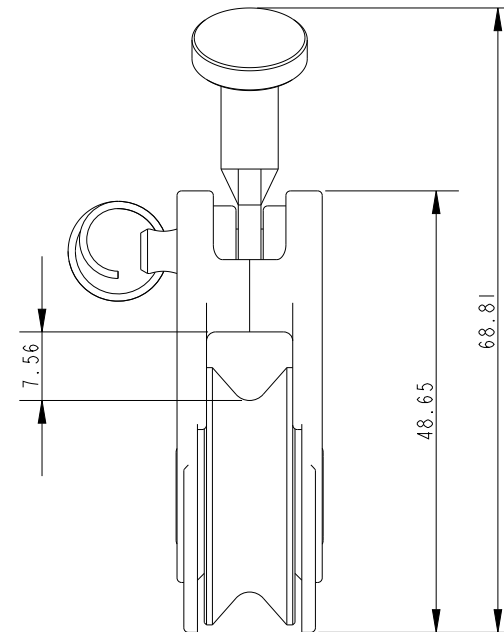


SCALE 6:5



SCALE 6:5

**Specification**

| Length mm | Line Diameter mm | Clevis Pin mm | Breaking Load kg | MWL kg | Weight g |
|-----------|------------------|---------------|------------------|--------|----------|
| 48        | 8                | 5             | 1000             | 500    | 43       |

**DIMENSIONS FOR REFERENCE ONLY**  
 allenbrothers.co.uk  
 +44(0)1621 772477

| Title                | Description                       |
|----------------------|-----------------------------------|
| <b>A9031-873-REF</b> | 30mm Titanium Block with Vang Key |