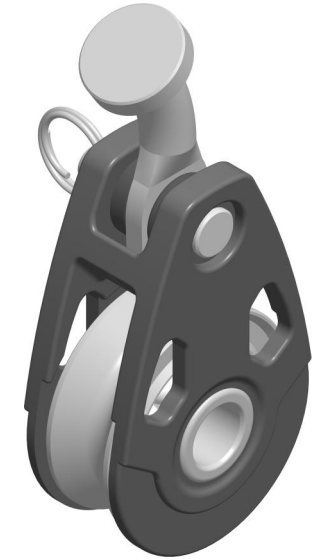
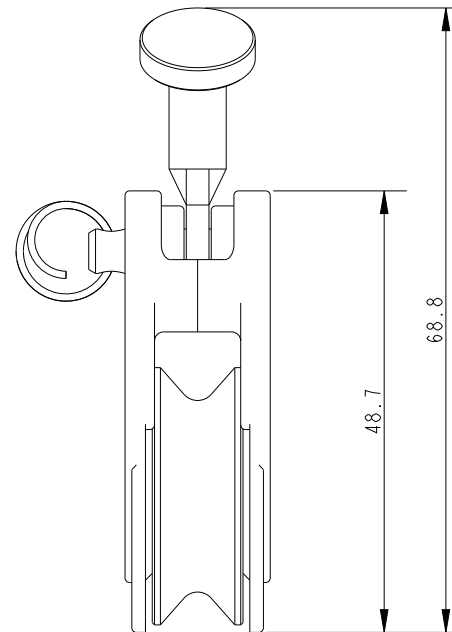


SCALE 6:5



SCALE 6:5

Specification

Length mm	Line Diameter mm	Clevis Pin mm	Breaking Load kg	MWL kg	Weight g
68.8	8	5	1000	500	43

DIMENSIONS FOR REFERENCE ONLY
 allenbrothers.co.uk
 +44(0)1621 772477

Title	Description
A9031-873-REF	30mm Titanium Block with Vang Key