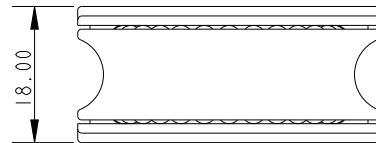


SECTION XSEC0001-XSEC0001

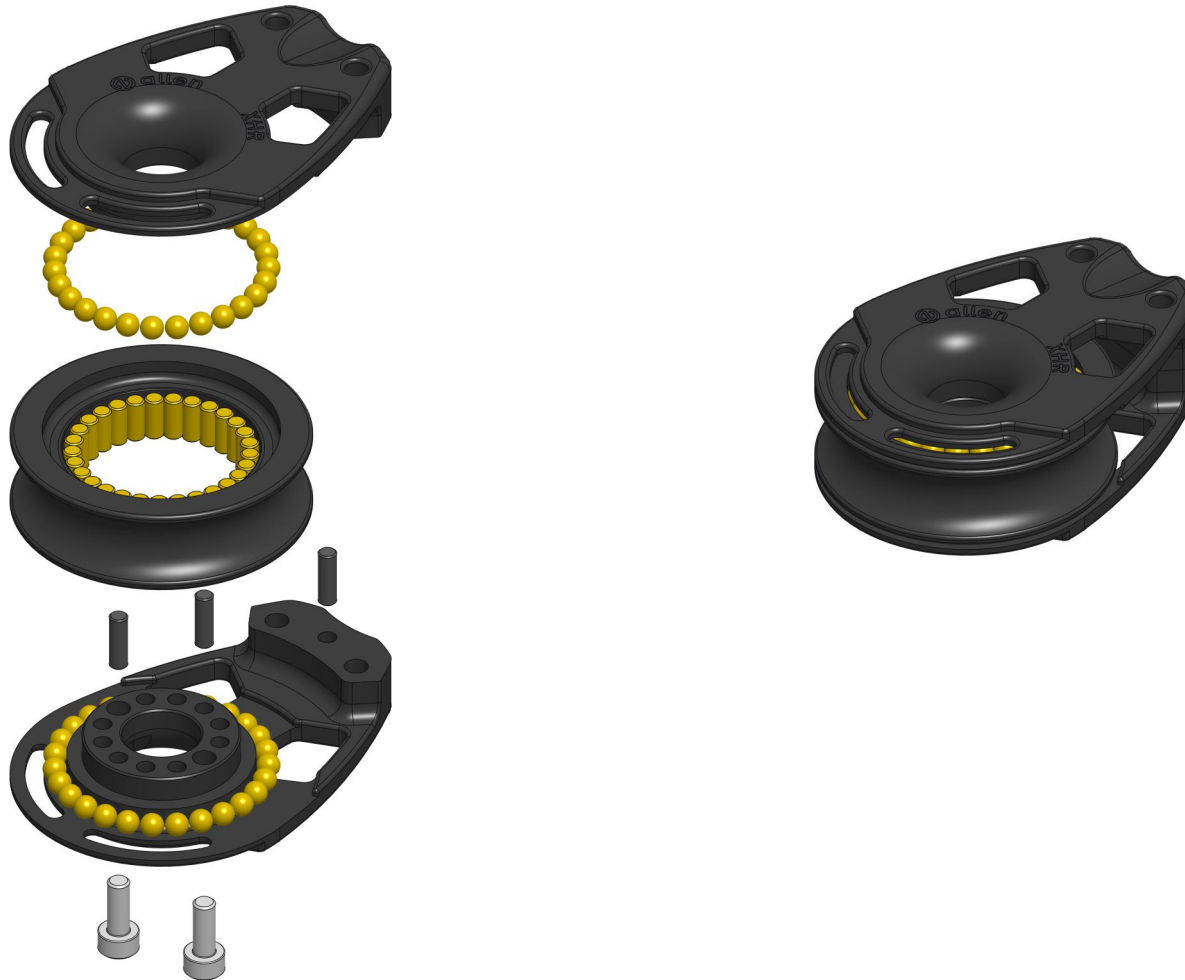


**Specification**

Sheave Diameter mm	Length mm	Max Line Diameter mm	Breaking Load kg	Max Working Load kg	Weight g	Bearing Detail
40	55	10	2000	800	47	Roller

**DIMENSIONS FOR REFERENCE ONLY**  
**allenbrothers.co.uk**  
**+44(0)1621 772477**

Title	Description
<b>A9040-REF</b>	<b>BOM</b>



**DIMENSIONS FOR REFERENCE ONLY**  
**allenbrothers.co.uk**  
**+44(0)1621 772477**

Title	Description
A9040-REF	BOM