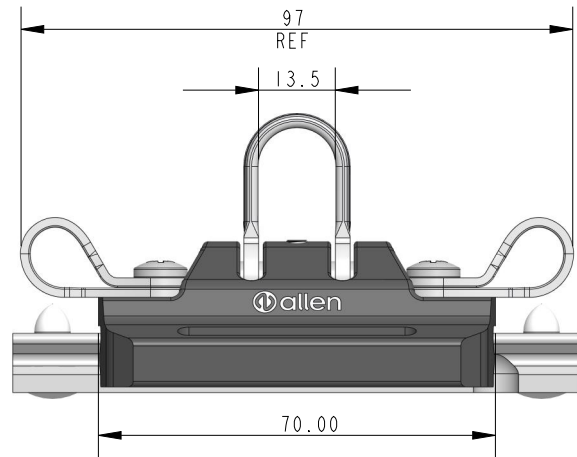


SCALE 3:4



SCALE 3:4

**Specification**

| To Suit Track | Max Line Dia. mm | Height mm | Length mm | Width mm | Weight g | Accessories | MWL kg | BL kg |
|---------------|------------------|-----------|-----------|----------|----------|-------------|--------|-------|
| A9019         | 6                | 50        | 97        | 50.5     | 85       | A4035       | 230    | 1400  |

**DIMENSIONS FOR REFERENCE ONLY**  
 allenbrothers.co.uk  
 +44(0)1621 772477

| Title       | Description        |
|-------------|--------------------|
| A9119-1-REF | Size 19 P Clip Car |