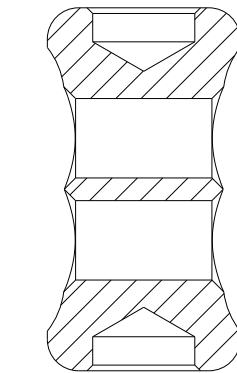
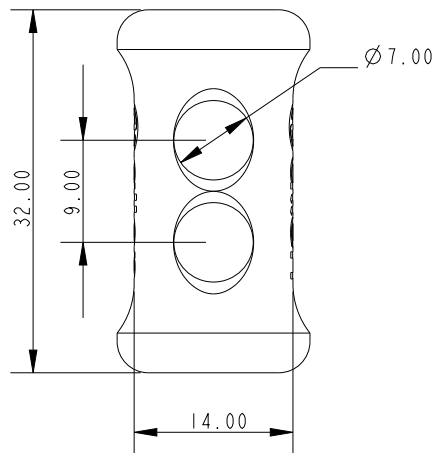


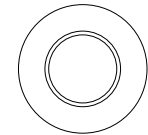
SCALE 3:2



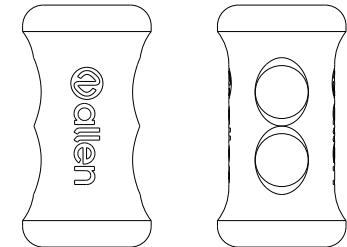
SCALE 3:2



SECTION A-A



SCALE 1:1



Available Anodised Black or Blue

Specification

| Length mm | Maximum Outer Diameter mm | Minimum Outer Diameter mm | Rope Diameter mm | *Safe Working Load kg | *Breaking Load kg | Weight g |
|-----------|---------------------------|---------------------------|------------------|-----------------------|-------------------|----------|
| 32 | 17 | 14 | 6 | 950 | 1900 | 10.6 |

DIMENSIONS FOR REFERENCE ONLY
 allenbrothers.co.uk
 +44(0)1621 772477

| Title | Description |
|------------------|---------------------|
| A9606-REF | Tii Bone 6mm |