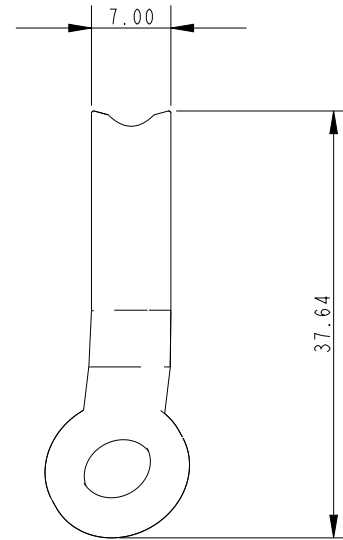


SCALE 3:2



SCALE 3:2

Specification		
Length mm	Hole Diameter mm	Weight g
38	6.35	12

DIMENSIONS FOR REFERENCE ONLY
 allenbrothers.co.uk
 +44(0)1621 772477

Title	Description
ASP1864-REF	Mast Take Off Key