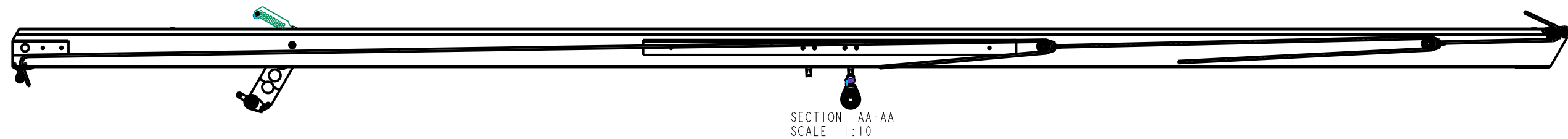
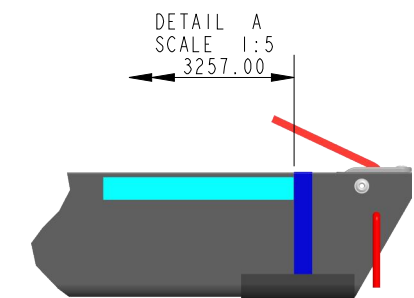
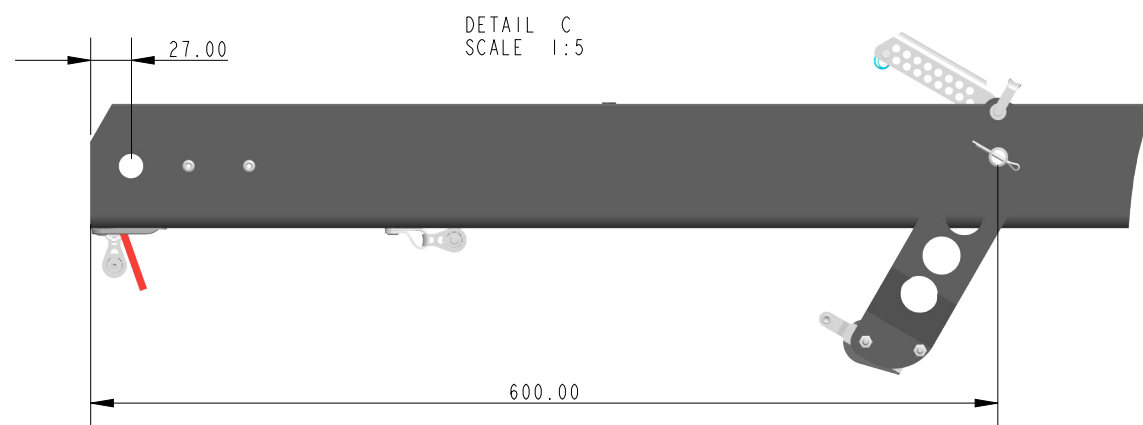
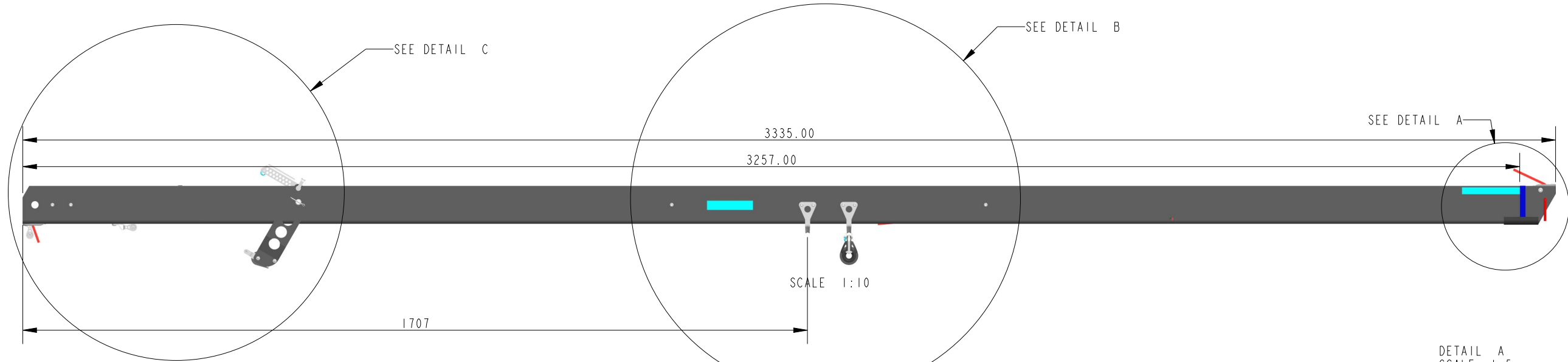
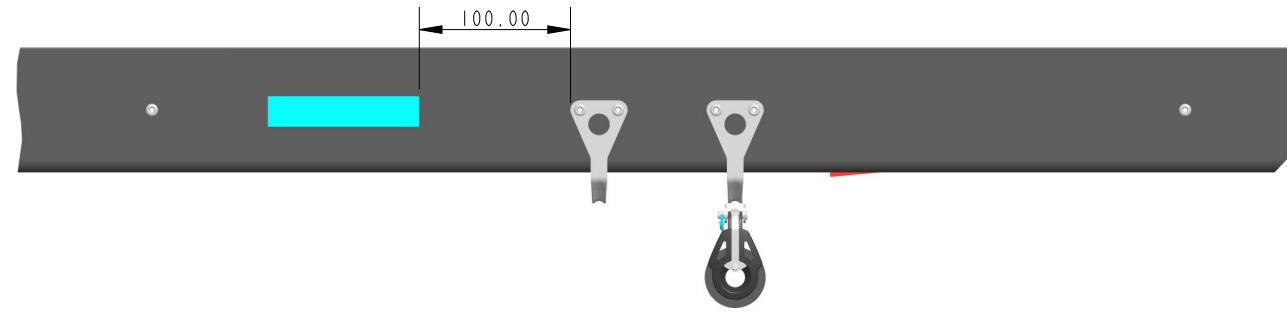


DETAIL B
SCALE 1:5



Title	Description	Project Name	Date	Drawn By
FINN-BOOM-BLK-RG-REF	Finn Boom Assembly	-	30-Mar-15	T Clayton