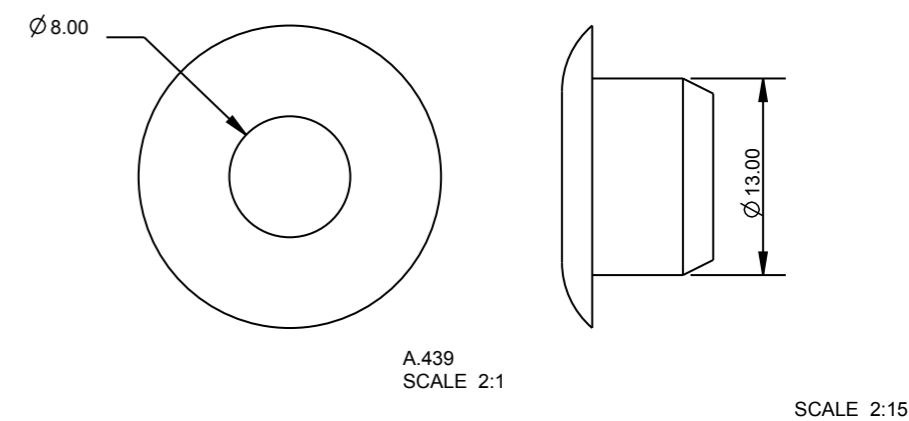


Ok Boom BOM

NUM	QTY	NAME	DESCRIPTION
1	1	ATOK-BOOM	RTFINN-B-3500MT6
2	1	APFINN-BOOMANO	Boom Strengtheners ensure correct way up
3	1	A--15BODY	Die Cast Sheave Box Body
4	1	TP0344PP	Axle 37mm for A..15
5	2	F5W	M5 Washer (1mm thick)
6	6	FPR639	Pop Rivet Pack 8 loose
7	1	A4986-6	25 x 6 HTSS cassette
8	1	F4PP20	M4 Pozi Pan Head x 20
9	1	F4NN	M5 Nut
10	2	ABBOOMLABEL	Affix as above 1142mm from the outboard end
11	1	SPEED-GRIT-75	
12	1	PAINT	Paint stripe on all faces
13	2	LHA-SCALE	Affix as above on the top face
14	4	A0439	Pack Loose



PROJECTION		DESCRIPTION			
		OK Boom			
	THIRD ANGLE PROJECTION		PART NUMBER		
MATERIAL	Creation Date	MS7272BLACK-HD			
TREATMENT	Revision Date				
ROUGH PART No.	Approved Date	TOLERANCES	SCALE	SIZE	SHEET
ROUGH_PART_NO	-	LIN 0.1	ANG 0.5	2:15	A3 1 OF 1